

Svenska

1101 237

2014 08 05

RESERVDELAR SPARE PARTS

5006 285 GV 6

| Pos Fig | Detalj nr Part no | Ant Qty | Benämning | Description | Anm Notes | Åtdragm mom Torque |
|------------|----------------------|------------|-----------------------|--------------------------|-----------------|-----------------------|
| | 5006 285 | | GV 6, komplett | GV 6, complete | | |
| 1 | 5006 152R | 1 | Stator övre | Stator plate, upper | | |
| 2 | 5006 037 | 4 | Vinge | Vane | | |
| 3 | 5006 030 | 8 | Fjäder | Spring | | |
| 4 | 5006 086 | 1 | Rotor | Rotator shaft | | |
| 5 | 1013 580 | 2 | Pinne | Pin | | |
| 6 | 5006 014R | 1 | Statorring | Stator frame | | |
| 7 | 5006 013R | 1 | Stator nedre | Stator plate, lower | | |
| 8 | 1002 112 | 8 | Skruv | Screw | M12x120 | 120 Nm |
| 9 | 5006 089R | 1 | Fästplatta | Link,lower | | |
| 10 | 1019 496 | 3 | Bricka | Washer | | |
| 11 | 1019 488 | 2 | Skruv | Screw | M20x100 | 600 Nm |
| 12 | 1026 202 | 1 | Skruv | Screw | M20x65 | 600 Nm |
| 13 | 5006 027 | 1 | Axiallagersats | Axial bearing kit | Complete | |
| 14 | 5007 001 | 1 | Shims, sats | Shim, set | | |
| | 1017 276 | 1 | Shims | Shim | 0,100 mm | |
| | 1017 284 | 1 | Shims | Shim | 0,125 mm | |
| | 1017 292 | 1 | Shims | Shim | 0,150 mm | |
| | 1017 300 | 1 | Shims | Shim | 0,178 mm | |
| 15 | 1016 203 | 2 | Skruv | Screw | M12x50 | |
| 16 | 1017 326 | 2 | Bricka | Washer | | |
| 17 | 5008 011R | 1 | Slangskydd | Hoseguard | | |
| 18 | 5006 049 | 1 | Tätningssats | Seal kit | | |
| 19 | 5001 384 | 2 | Propp | Plug | G1/2 | 50 Nm |

Svenska

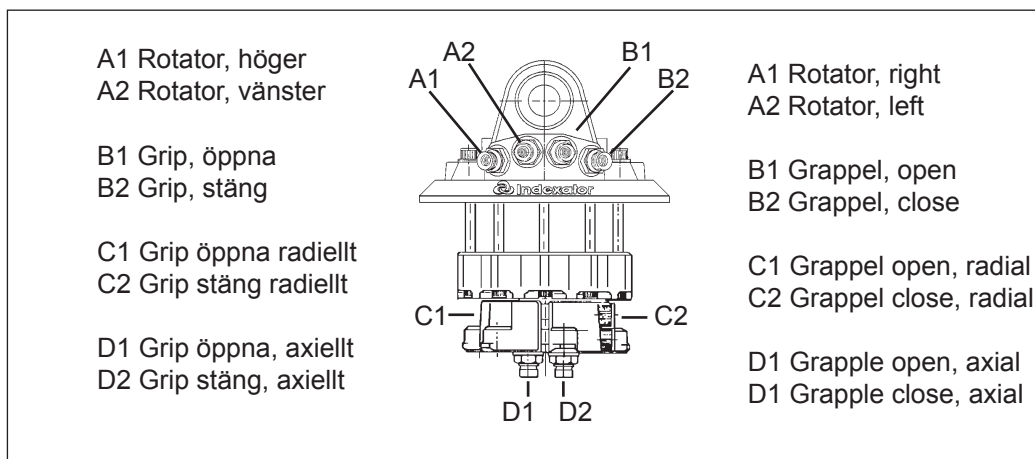
1101 237

2014 08 05

ADAPTER SATS ADAPTER SET

5006 285 GV 6

| Pos Fig | Detalj nr Part no | Ant Qty | Benämning | Description |
|------------|----------------------|------------|---------------------------------|--------------------------------|
| | 5006 111 | | Adaptersats GV/A G1/2 | Adapterset GV/A G1/2 |
| A1, A2 | 5005 015 | 2 | Adapter G1/2xG1/2 Ø2,5 | Adapter G1/2xG1/2 Ø2,5 |
| B1, B2 | 1076 975 | 2 | Adapter G1/2xG1/2 | Adapter G1/2xG1/2 |
| C1, C2/ | | | | |
| D1, D2 | 1076 975 | 2 | Adapter G1/2xG1/2 | Adapter G1/2xG1/2 |
| A, B, C, D | 1001 957 | 6 | Tätning Gummistålbricka G1/2 | Bonded seal G1/2 |
| | 5006 079 | | Adaptersats GV/A G3/8 | Adapterset GV/A G3/8 |
| A1, A2 | 5005 016 | 2 | Adapter G1/2xG3/8 Ø2,5 | Adapter G1/2xG3/8 Ø2,5 |
| B1, B2 | 1076 983 | 2 | Adapter G3/8xG1/2 | Adapter G3/8xG1/2 |
| C1, C2/ | | | | |
| D1, D2 | 1076 983 | 2 | Adapter G3/8xG1/2 | Adapter G3/8xG1/2 |
| A, B, C, D | 1001 957 | 6 | Tätning Gummistålbricka G1/2 | Bonded seal G1/2 |
| | 5006 045 | | Adaptersats GV/A UNF 3/4 | Adapterset GV/A UNF 3/4 |
| A1, A2 | 5005 018 | 2 | Adapter G1/2xUNF3/4 Ø2,5 | Adapter G1/2xUNF3/4 Ø2,5 |
| B1, B2 | 5001 070 | 2 | Adapter G1/2xUNF3/4 | Adapter G1/2xUNF3/4 |
| C1, C2/ | | | | |
| D1, D2 | 5001 070 | 2 | Adapter G1/2xUNF3/4 | Adapter G1/2xUNF3/4 |
| A, B, C, D | 1001 957 | 6 | Tätning Gummistålbricka G1/2 | Bonded seal G1/2 |
| | 5006 114 | | Adaptersats GV/A UNF 7/8 | Adapterset GV/A UNF 7/8 |
| A1, A2 | 5007 042 | 2 | Adapter G1/2xUNF7/8 Ø2,5 | Adapter G1/2xUNF7/8 Ø2,5 |
| B1, B2 | 5001 057 | 2 | Adapter G1/2xUNF7/8 | Adapter G1/2xUNF7/8 |
| C1, C2/ | | | | |
| D1, D2 | 5001 057 | 2 | Adapter G1/2xUNF7/8 | Adapter G1/2xUNF7/8 |
| A, B, C, D | 1001 957 | 6 | Tätning Gummistålbricka G1/2 | Bonded seal G1/2 |



Svenska

1101 237

2014 08 05