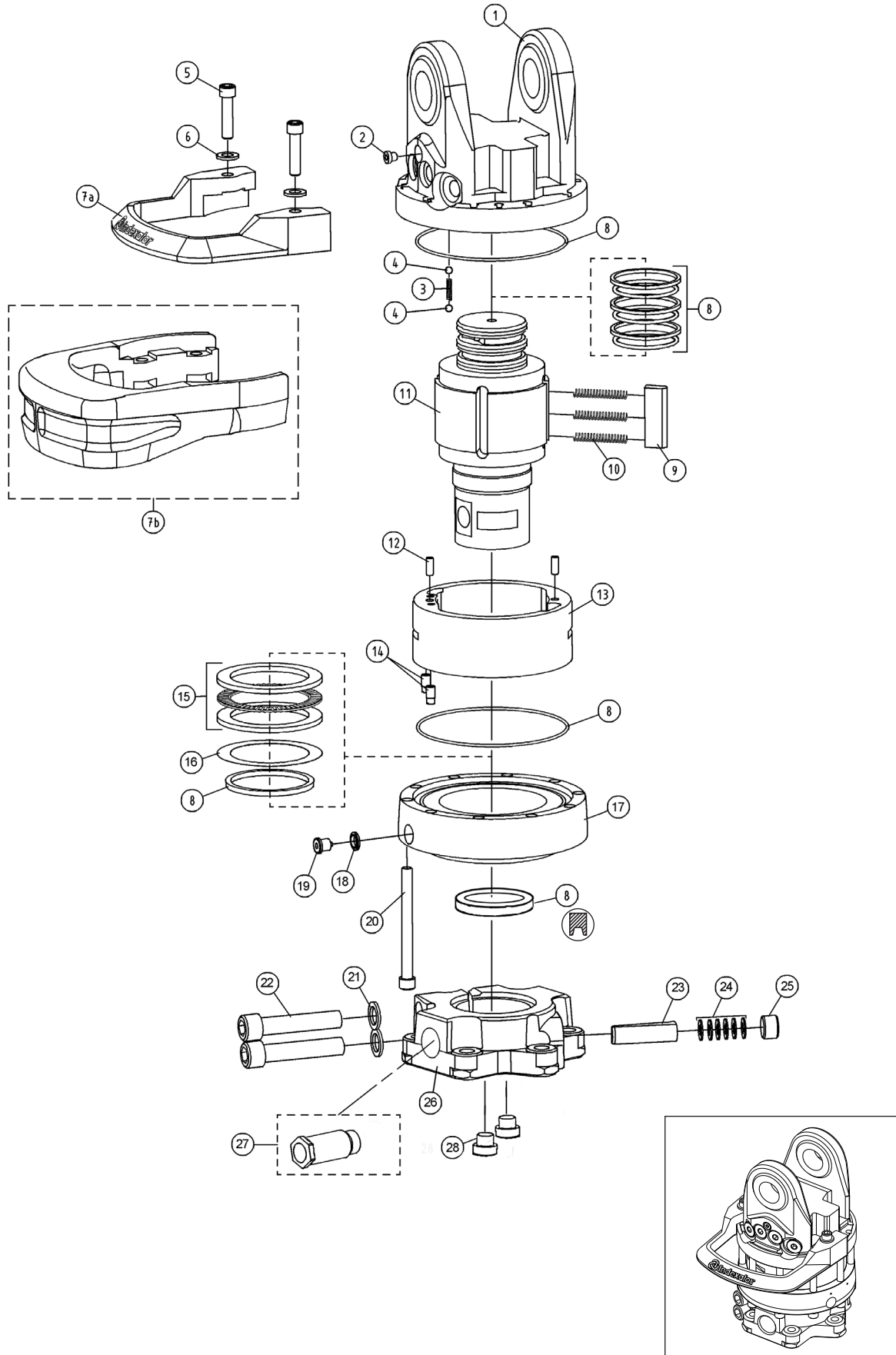


RESERVDELAR SPARE PARTS

5212275 GV 12S
Valid from s/n 1004124



Svenska

1100 569

2015 07 02

RESERVDELAR SPARE PARTS

5212275 GV 12S
Valid from s/n 1004124

Pos Fig	Detalj nr Part no	Ant Qty	Benämning	Description	Anm Notes	Åtdragn mom Torque
	5212 275		Rotator GV 12S	Rotator GV 12S	Compl.	
1	5011 017R	1	Stator övre	Stator, upper	Incl. pos. 2	
2	5001 381	1	Propp	Plug	G1/8	17 Nm
3	1020 536	1	Fjäder	Spring		
4	1005 545	2	Kula	Ball		
5	1016 203	2	Skruv	Screw	M12x50	
6	1017 326	2	Bricka	Washer		
7a	5011 006R	1	Slangskydd	Hoseguard		
7b	5112 006R	1	Slangskydd XL	Hoseguard XL	Option	
8	5212 045	1	Tätningssats	Seal kit	GV/AV 11-17	
9	5011 160	4	Vinge	Vane		
10	5006 030	12	Fjäder	Spring		
11	5212 026R	1	Rotor	Rotator		
12	1019 900	2	Pinne	Pin	8x20	
13	5112 023R	1	Statorring	Stator frame		
14	5011 106	2	Kägla	Restrictor		
15	5112 022	1	Axiallagersats	Axial bearing kit		
16	5010 081	1	Shims, sats	Shim, set		
	1016 658	1	Shims	Shim	0,100 mm	
	1017 029	1	Shim	Shim	0,125 mm	
	1016 641	1	Shims	Shim	0,150 mm	
	1017 425	1	Shims	Shim	0,178 mm	
17	5212 020R	1	Stator, nedre	Stator, lower	Incl. pos. 18, 19	
18	1019 116	1	Tätning gummistålbricka	Bonded seal	G1/4	
19	1025 709	1	Propp, magnet	Magnetic plug	G1/4	20 Nm
20	1002 120	10	Skruv	Screw	M12x130	120 Nm
21	1019 496	2	Bricka	Washer		
22	1019 488	2	Skruv	Screw	M20x100	600 Nm
23	5010 038	1	Kil	Wedge		
24	1015 643	6	Fjäder, tallrik	Cup spring		
25	5010 039	1	Skruv	Screw	G3/4	120 Nm
26	5212 022R	1	Fästplatta	Link, lower		
27	5212 051	1	Adaptersats	Adapter kit	G1/2. Option	
28	5001 384	2	Propp	Plug	G1/2	50 Nm

Svenska

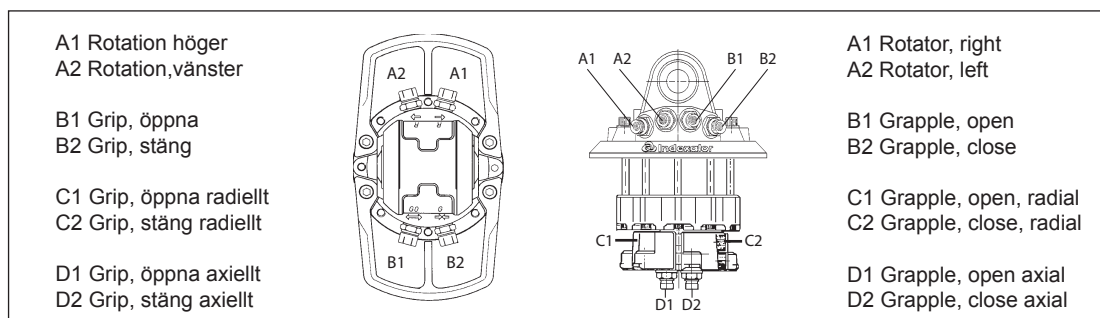
1100 569

2015 07 02

ADAPTERSATS ADAPTER SET

5212275 GV 12S
Valid from s/n 1004124

Pos Fig	Detalj nr Part no	Ant Qty		Benämning	Description
		5212 060	5212 061	Adaptersats, G1/2	Adapter set, G1/2
		radiell	axiell		
A1, A2	1073 444	2	2	Adapter G1/2 x G1/2	Adapter G1/2 x G1/2
B1, B2	1073 444	2	2	Adapter G1/2 x G1/2	Adapter G1/2 x G1/2
C1, C2	1073 444	2	-	Adapter G1/2 x G1/2	Adapter G1/2 x G1/2
C1, C2	5212 027	2	-	Adapter distans G1/2xG1/2	Adapter spacer G1/2xG1/2
D1, D2	1073 444	-	2	Adapter G1/2 x G1/2	Adapter G1/2 x G1/2
			5212 083	Adaptersats, UNF 7/8	Adapter set, UNF 7/8
			axiell	JIC size 10	
A1, A2	1069 277		2	Adapter G1/2 x UNF 7/8	Adapter G1/2 x UNF 7/8
B1, B2	1069 277		2	Adapter G1/2 x UNF 7/8	Adapter G1/2 x UNF 7/8
D1, D2	1069 277		2	Adapter G1/2 x UNF 7/8	Adapter G1/2 x UNF 7/8



Svenska

1100 569

2015 07 02