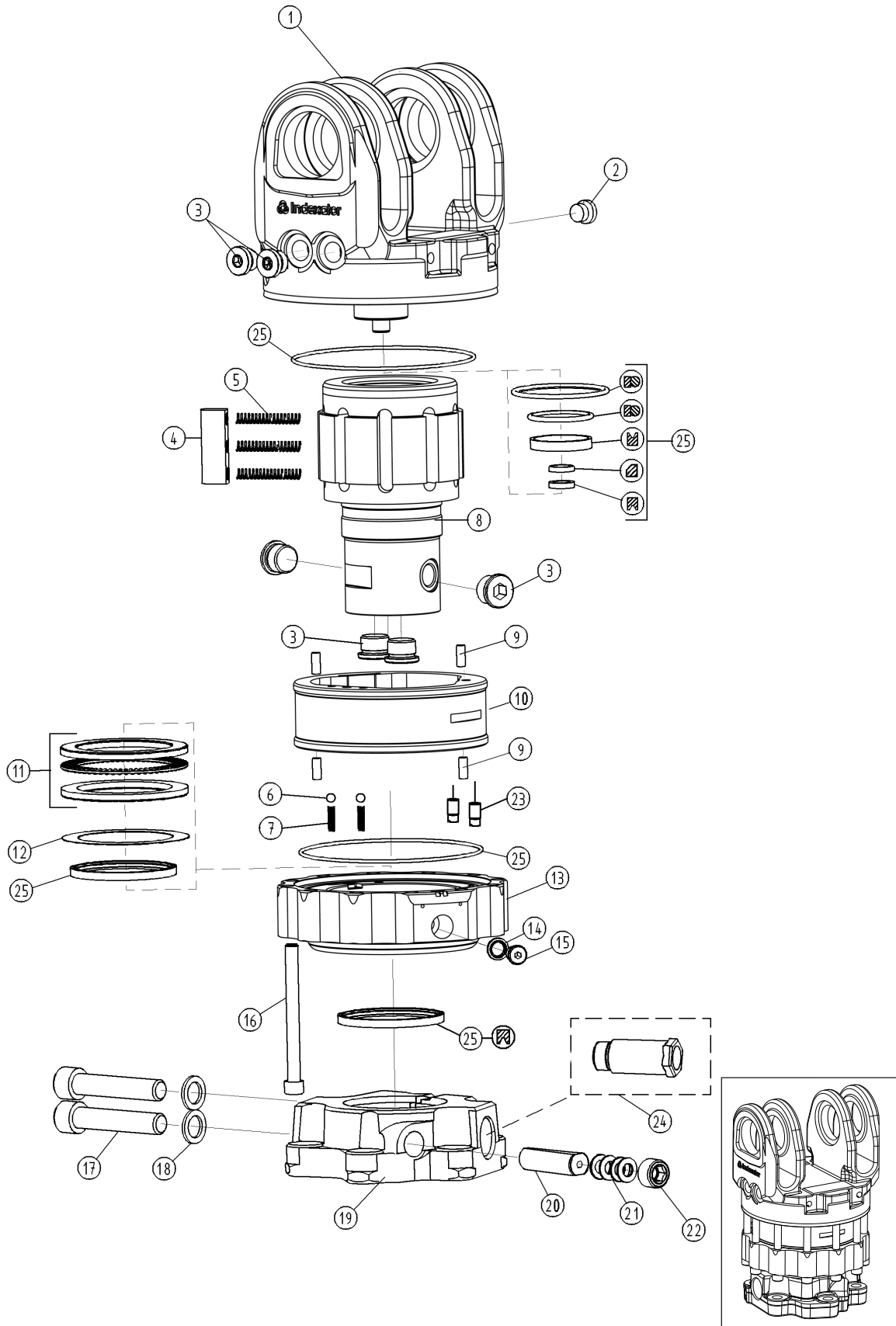


RESERVDELAR SPARE PARTS

7212110 H 112
Valid from s/n 1213980



Svenska 1100 825 2013 12 06

RESERVDELAR SPARE PARTS

7212110 H 112
Valid from s/n 1213980

| Pos Fig | Detalj nr Part no | Ant Qty | Benämning | Description | Anm Notes | Atdragn. mom Torque |
|------------|----------------------|------------|-------------------------|--------------------------|---------------------|------------------------|
| | 7212 110 | | Rotator H 112 | Rotator H 112 | | |
| 1 | 5214 029R | 1 | Stator övre | Stator, upper | Incl. pos 2, 3 | |
| 2 | 5001 383 | 1 | Propp | Plug | G3/8 | 36 Nm |
| 3 | 5001 384 | 6 | Propp | Plug | G1/2 | 50 Nm |
| 4 | 8000 337 | 9 | Vinge | Vane | | |
| 5 | 5016 202 | 18 | Fjäder | Spring | | |
| 6 | 1005 545 | 2 | Kula | Ball | | |
| 7 | 1020 536 | 2 | Fjäder | Spring | | |
| 8 | 5212 140R | 1 | Rotor | Rotor | | |
| 9 | 1019 900 | 4 | Pinne | Pin | | |
| 10 | 5212 144R | 1 | Statorring | Stator frame | | |
| 11 | 5112 022 | 1 | Axiallagersats | Axial bearing set | | |
| 12 | 5010 081 | 1 | Shimssats | Shim set | | |
| | 1016 658 | 1 | Shims | Shim | 0,100 mm | |
| | 1017 029 | 1 | Shims | Shim | 0,125 mm | |
| | 1016 641 | 1 | Shims | Shim | 0,150 mm | |
| | 1017 425 | 1 | Shims | Shim | 0,178 mm | |
| 13 | 5212 142R | 1 | Stator nedre | Stator, lower | Incl. pos 14, 15 | |
| 14 | 1019 116 | 1 | Tätning gummistålbricka | Bonded seal | | |
| 15 | 1025 709 | 1 | Propp magnet | Plug, magnetic | G1/4 | 20 Nm |
| 16 | 1002 112 | 12 | Skruv | Screw | M12x120 | 120Nm |
| 17 | 1019 488 | 2 | Skruv | Screw | M20x100 | 600 Nm |
| 18 | 1019 496 | 2 | Bricka | Washer | | |
| 19 | 5212 022R | 1 | Fästplatta | Link, lower | | |
| 20 | 5010 038 | 1 | Kil | Wedge | | |
| 21 | 1015 643 | 4 | Fjäder, tallrik | Cup spring | | |
| 22 | 5010 039 | 1 | Låsskruv | Locking screw | G3/4 | 120 Nm |
| 23 | 5011 106 | 2 | Kägla | Restrictor | | |
| 24 | 5212 051 | 1 | Adaptersats | Adapter set | G1/2. Option | |
| 25 | 5216 645 | 1 | Tätningssats | Seal kit | G/H | |

Svenska

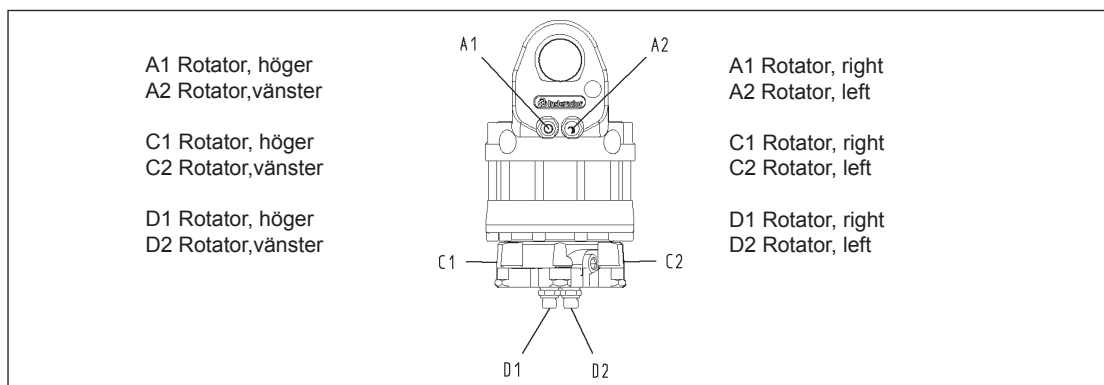
1100 825

2013 12 06

ADAPTERSATS ADAPTER SET

7212110 H 112
Valid from s/n 1213980

| Pos Fig | Detalj nr Part no | Ant Qty | Benämning | Description |
|------------|----------------------|------------|-----------------------|-----------------------|
| C1, C2 | 5212 070 | | Adaptersats H, UNF7/8 | Adapter set H, UNF7/8 |
| C1, C2 | 5212 051 | | Adaptersats H, G1/2 | Adapter set H, G1/2 |



Svenska
1100 825
2013 12 06