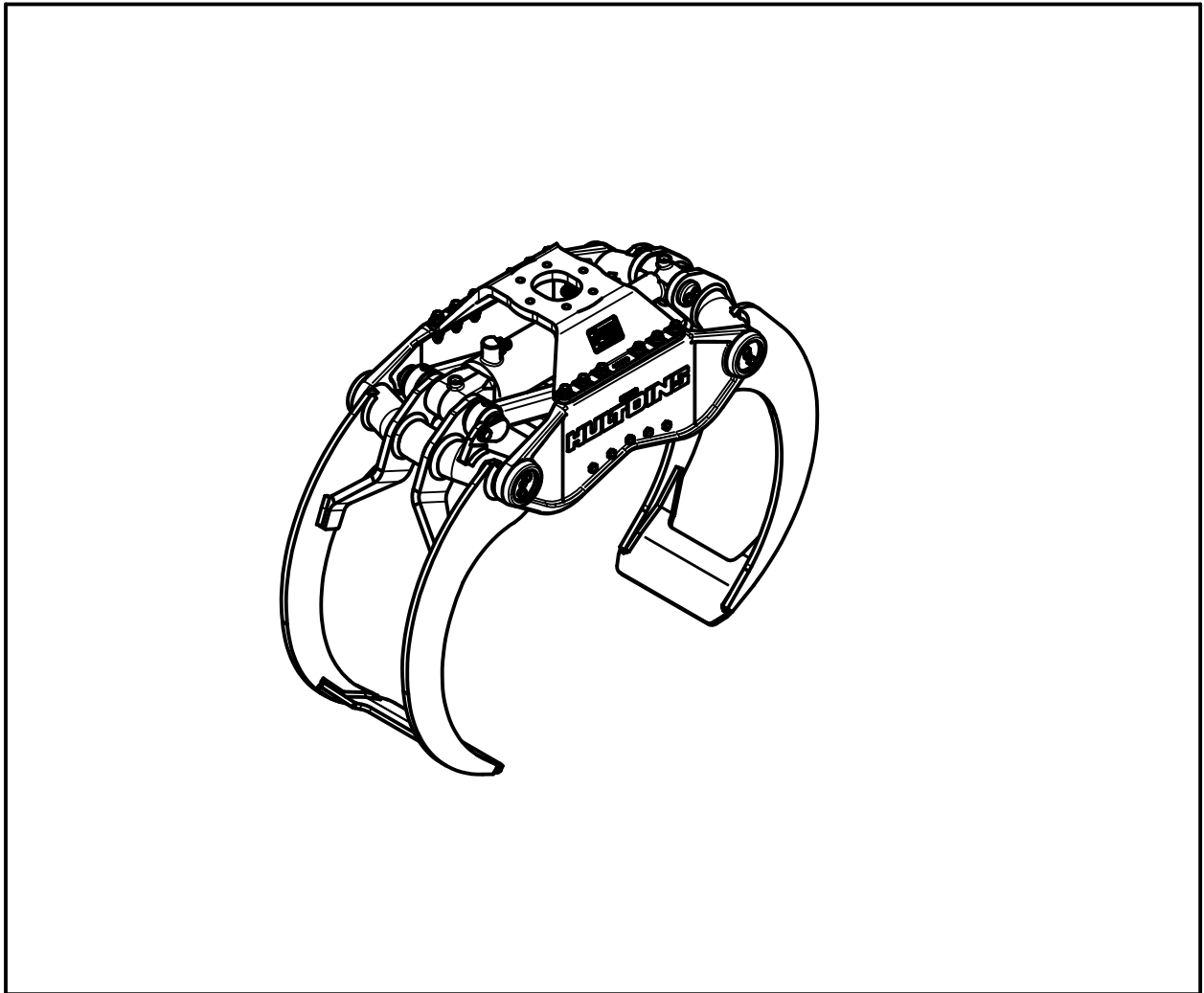


HULTDINS **Compact**



Grapple GLC 40

2015-09-08

Rev. 07

Doc.Nr. 7665100-EN

Utg. 01-15

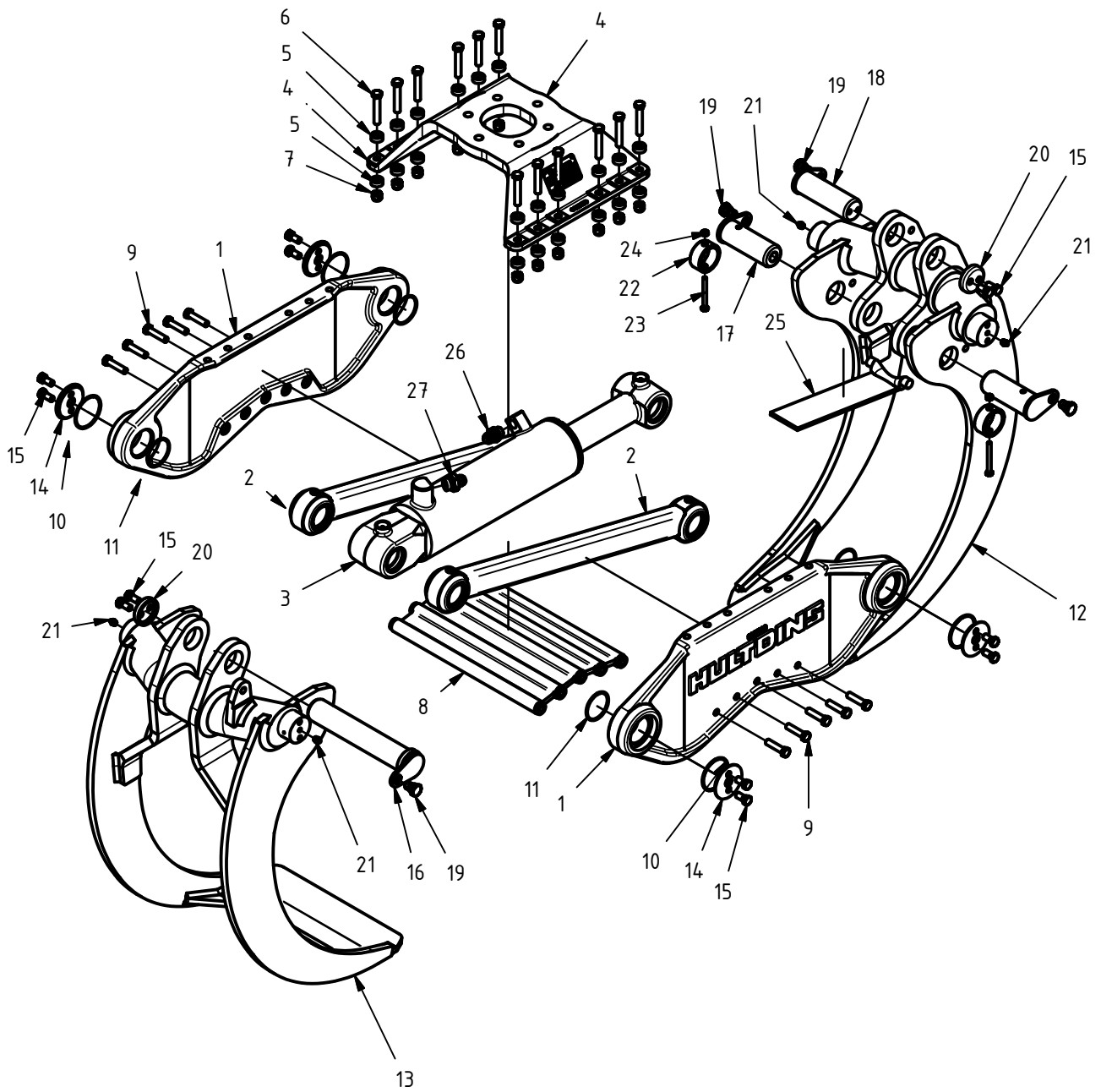
English

Spare Parts manual

0665100

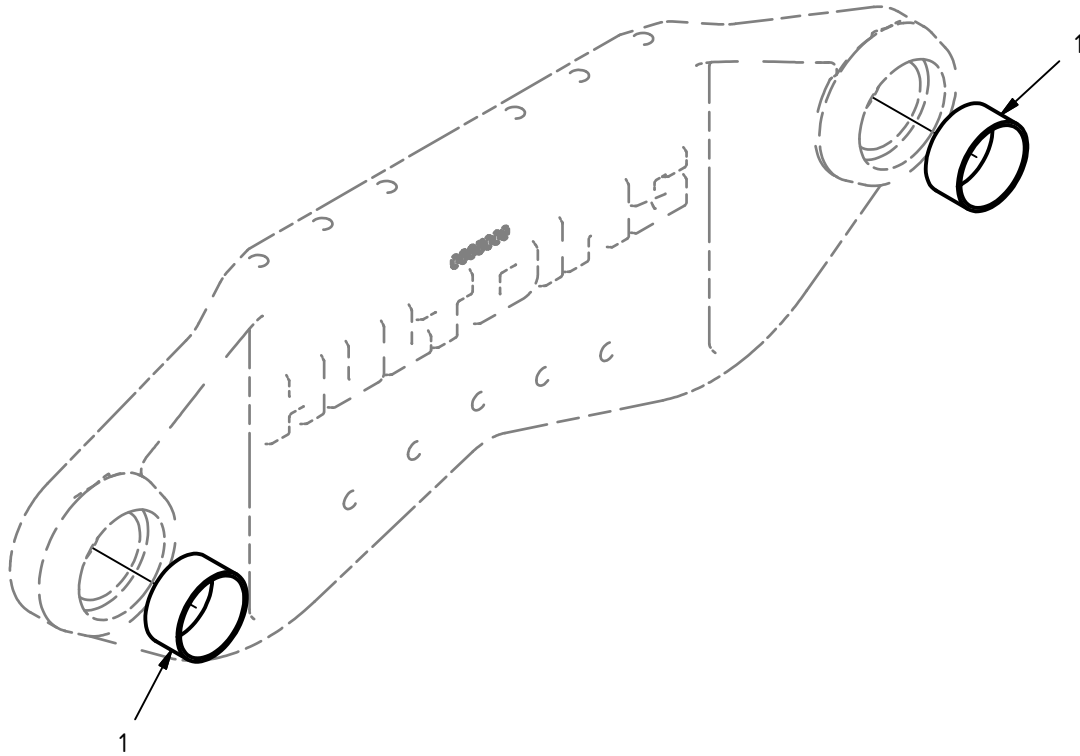
S/N 010-3413 and up

Grapple GLC 40



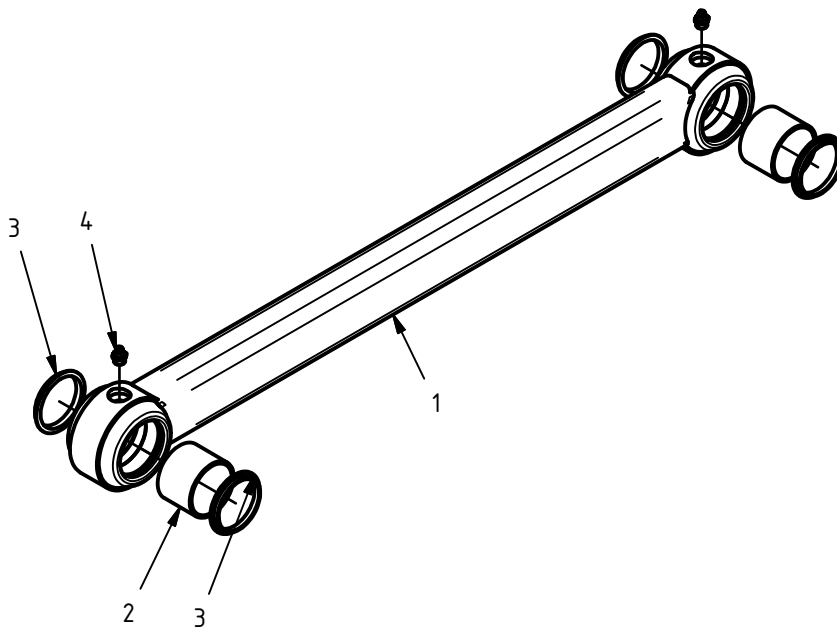
Item	Qty.	Part Number	Description	Notes
1	2	0665009	Base side asm.	
2	2	0665128	Push rod asm.	
3	1	0150005	Hydraulic cylinder	110/63 - 319
4	1	0642029	Rotator bracket	
5	24	0604055	Hardened washer	T=10
6	12	0104378	Hex hd. Cap Screw	ISO 4014 - M12x70
7	12	0106065	Nut	DIN 6924 - M12
8	1	0665018	Spacer	
9	10	0104356	Hex hd. Cap Screw	ISO 4014 - M12x50
10	4	0118098	O-ring	69,5 x 3,0
11	4	0118099	O-ring	59,5 x 3,0
12	1	0665102	Grapple arm, male	
13	1	0665101	Grapple arm, female	
14	4	0665121	Washer	
15	12	0104342	Hex hd. Cap Screw	ISO 4017 - M12x25
16	1	0665106	Pin	
17	2	0665104	Pin	
18	1	0665105	Pin	
19	4	0632601	Locking screw	
20	2	0665148	Washer	
21	4	0114023	Grease Fitting	M10 x 1
22	2	0665131	Washer	
23	2	0104553	Hex hd. Cap Screw	ISO 4014 - M8x75
24	2	0106081	Nut	DIN 982 - M8
25	1	0665129	Piston rod cover	
26	1	0130107	Adapter str.	SJG 1408
27	1	0130061	Adapter str.	SJG 1412

Base side bearings



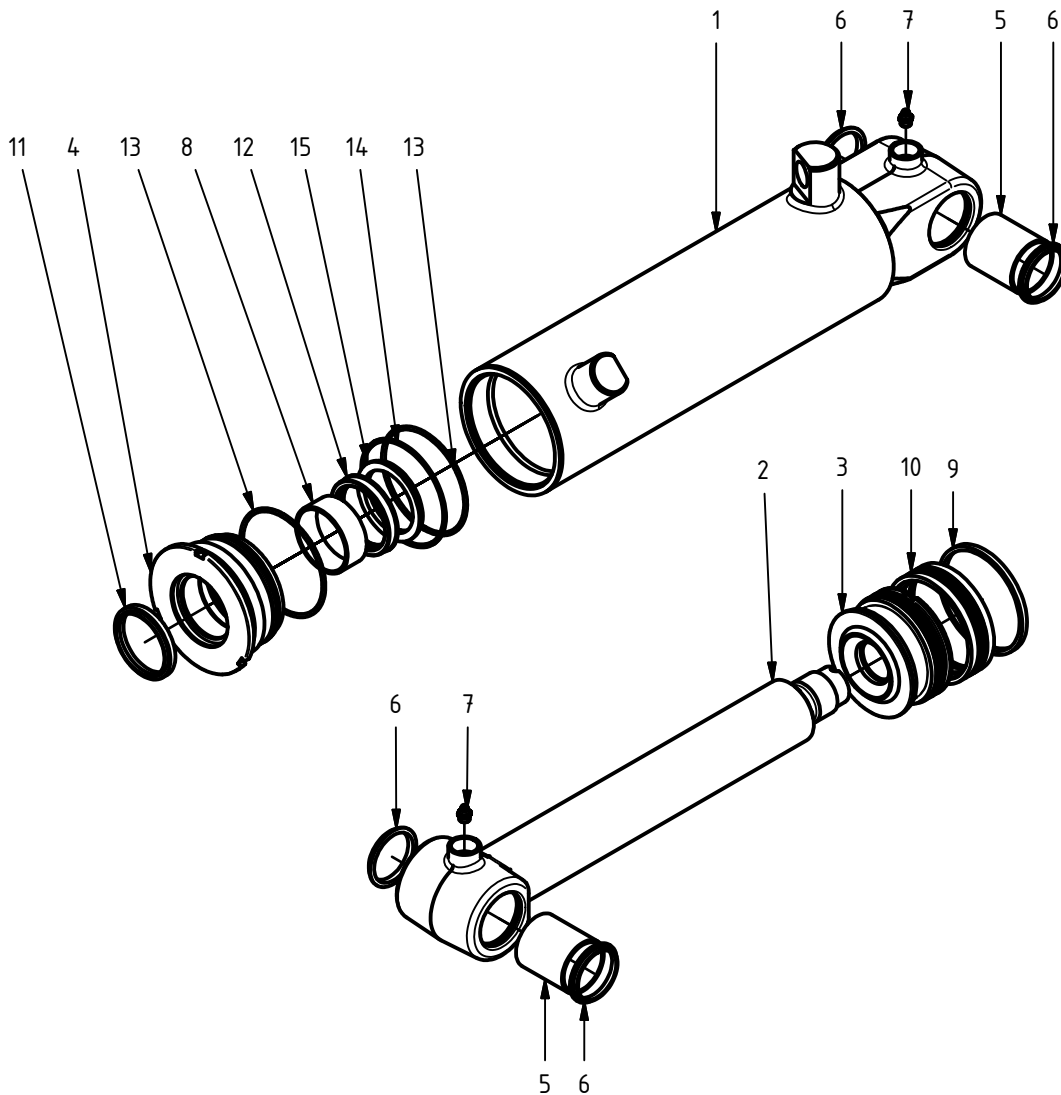
Item	Qty.	Part Number	Description	Notes
1	2	0124049	Plain Bearing	60/65 x 30

Push rod asm.



Item	Qty.	Part Number	Description	Notes
1	1	0665128	Push rod asm.	all items listed
2	2	0124044	Plain Bearing	∅50/55 x 40
3	4	0116017	Dust seal	DK 50-60-2,15-6
4	2	0114023	Grease Fitting	M10 x 1

Hydraulic cylinder



Item	Qty.	Part Number	Description	Notes
1	1	0150516	Barrel	w/ item #5-7
2	1	0150518	Piston rod	w/ item #5-7
3	1	0150515	Piston	110/60
4	1	0150517	Gland	
5	2	0124089	Plain Bearing	50/55 x 60
6	4	0116017	Dust seal	DK 50-60-2,15-6
7	2	0114023	Grease Fitting	M10 x 1
8	1	0150526	Guide Ring	68/63 x 25-PF
9	1	0150530	Piston ring	ø110
10	1	-	Piston seal	M 110/95 x 20
11	1	-	Dust seal	PA 63/73 x 7 x 10
12	1	-	Rod seal	SI/L 63/78 x 12,5
13	2	-	O-ring	104,5 x 3,0
14	1	-	Backup Ring	110/105 x 1,3
15	1	-	Retainer ring	RI 63/78 x 2,65-A
-	-	0121079	Seal kit	item #10-15

HULTDINS **Compact**



English

Hultdin System AB
Skolgatan 12, SE-930 70 MALÅ, Sweden
tel. +46 953 418 00, fax +46 953 418 01
E-mail: sales@hultdins.se

Hultdins Inc.
22 Morton Avenue East
Brantford, Ontario, Canada N3R 7J7
tel (519) 754-0044, fax (519) 754-1569
E-mail: info@hultdins.com