

# K100

Next generation  
hose swivels

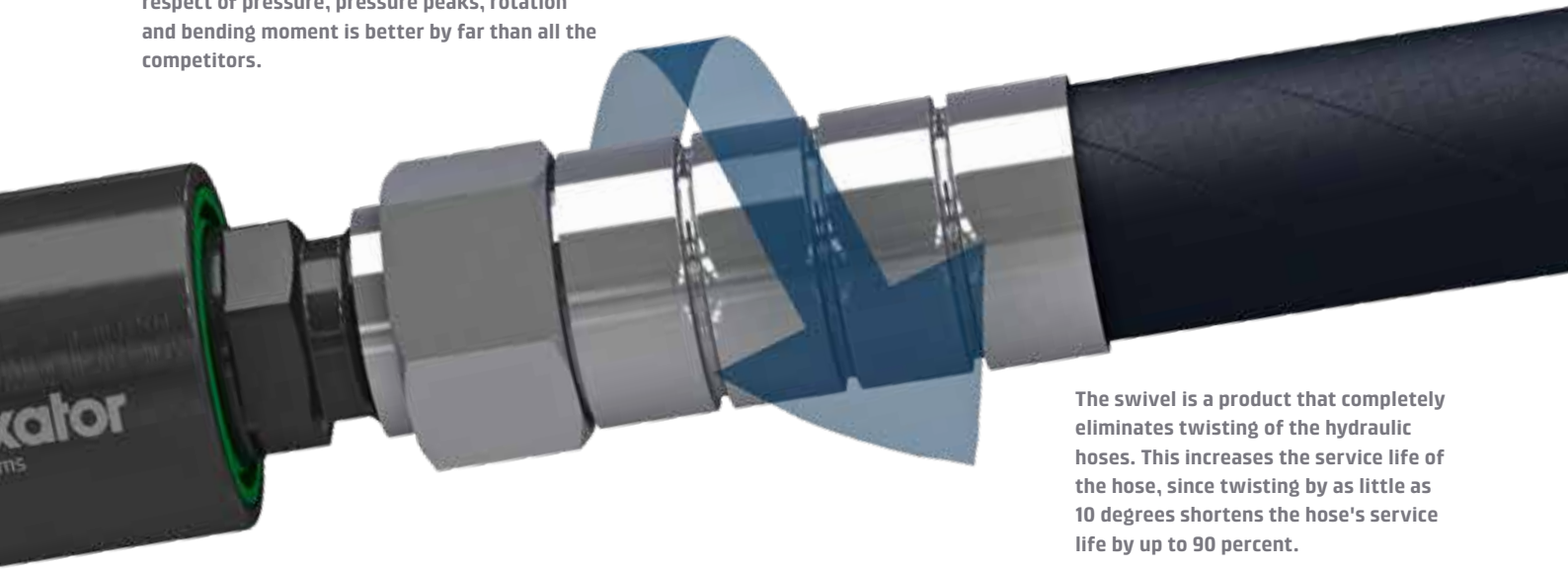




**Index**  
Rotator System

## BEST IN TEST

The K100 passes every service life test convincingly. Swivels taken at random from serial production show that the service life in respect of pressure, pressure peaks, rotation and bending moment is better by far than all the competitors.



The swivel is a product that completely eliminates twisting of the hydraulic hoses. This increases the service life of the hose, since twisting by as little as 10 degrees shortens the hose's service life by up to 90 percent.

# Flexible swivels with an innovative design

The K100 is a series of swivels based on a unique combination of tried-and-tested technology and great flexibility. This implies even further applications with high productivity and good profitability for a longer period of time.

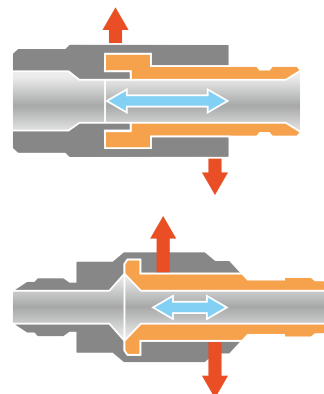
The K100 swivels completely eliminate the hydraulic hoses' twisting for higher productivity and profitability over a long period of time. This is due to a twist of only 10° shortens the hose's service life by up to 90 %. But what really makes the K100 unique is the flexible, modular design especially developed for today's modern hydraulic systems. K100 swivels are ideally suited for applications within forestry,

construction machinery, trucks, mining, agricultural machines and other demanding industrial applications.

With their compact design and reliable bearings, the swivels are dimensioned to handle truly tough assignments and high work flows. Low torque resistance and a unique seal solution make important contributions to both high performance and a long service life.

Indexator

Competition



The extended distance between breakpoints means the K100 swivel copes with side loads better than the competition's swivel solutions.

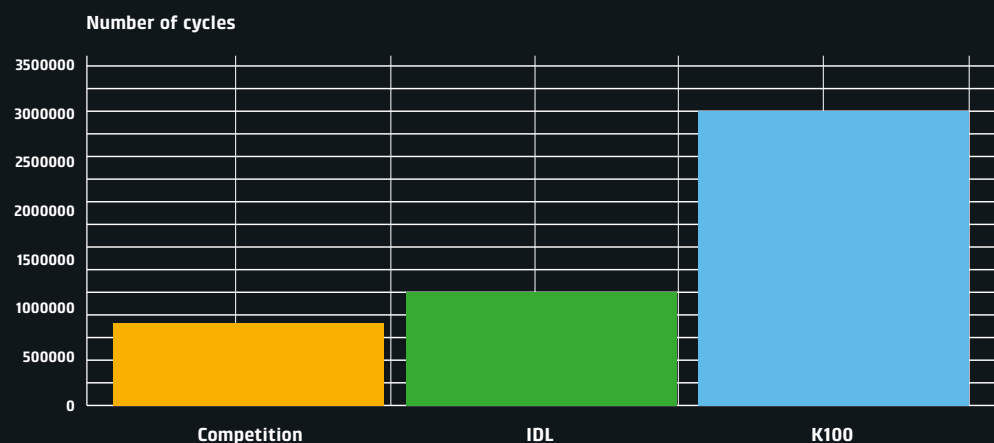
# A new swivel generation

High performance, long service life and great flexibility. The K100 is the hose swivel that increases profitability. For everyone.

The K100 has a compact design with a small external diameter which makes it easy to build into different applications while its modular construction also provides major customization opportunities.

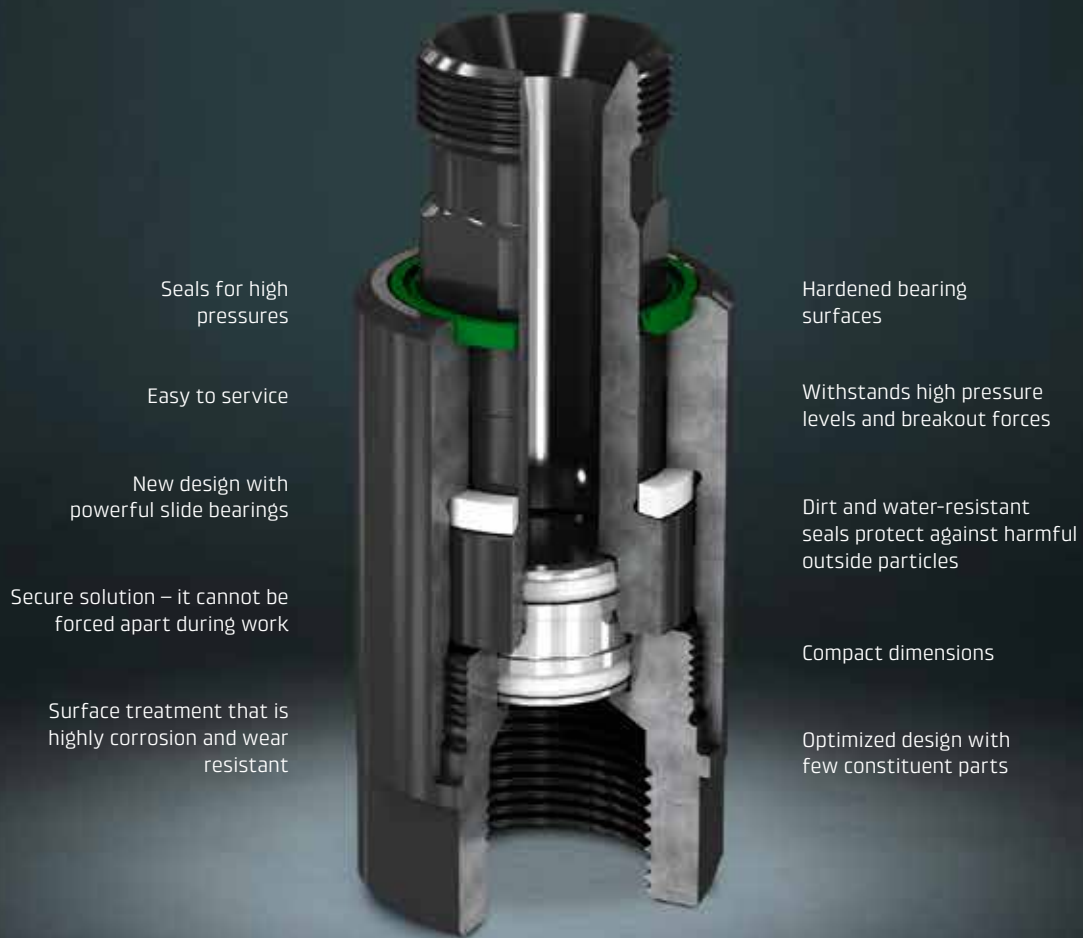
The K100 is designed to meet the requirements of today's modern hydraulic systems. This means high quality, high performance and long service life. The K100 series handles high working pressures over long periods, can withstand pressure peaks and there are never any pressure losses that generate friction heat. One important basis for the high performance is the specially designed seal solution.

The new generation swivels have low torque resistance, which significantly reduces the risk of ruptured hoses. The K100 also constantly protects hose connections and rotates as necessary, which conserves hoses. Together with the ability to use shorter lengths and simpler hose routing, the K100 extends hydraulic hose service life substantially. This is good for the economy and the environment. The combination of an efficient sealing solution, a surface treatment that is highly resistant to corrosion and wear and the K100's ability to withstand extremely high breakout forces makes it easy to see why this next generation swivel is an investment. Not a cost.



Low torque resistance means increased service life and lower costs. Tests show that the K100 has more than twice the service life as competitor models.

# Indexator K100 in brief



Seals for high pressures

Easy to service

New design with powerful slide bearings

Secure solution – it cannot be forced apart during work

Surface treatment that is highly corrosion and wear resistant

Hardened bearing surfaces

Withstands high pressure levels and breakout forces

Dirt and water-resistant seals protect against harmful outside particles

Compact dimensions

Optimized design with few constituent parts

## **SURFACE TREATMENT**

A new surface treatment that has extremely high corrosion and wear resistance increases service life.

## **LOWEST TORQUE RESISTANCE**

Even at low pressures, torque resistance is only half that of its competitors. Rotates freely and continuously, even during extreme pressure spikes.

## **SAFETY AND THE ENVIRONMENT**

Enables shorter hose lengths and simple connection without the risk of twists. Straighter, and consequently safer hose routings. The K100 is impossible to pull apart and therefore spares the environment from unnecessary oil spillages.



## **PATENT- PENDING TECHNOLOGY**

The K100 swivel has an utterly innovative design. The whole idea of building a modular swivel is unique to Indexator and means we have achieved a robust swivel with long service life that makes it cost-effective for the end-user. There are patents pending for parts of the technical design.



# Endless possibilities



**The K100** is a smart design based on flexible, modular construction. It gives us and our customers major development potential. The K100 is already available in several versions: G-G, G ED-G, G-JIC, G ED-JIC, ORFS, M-M and G ED-M. The range is under continual development with ever more models.

The swivel design's adaptability means we really see no limits to where and what it can be used for. Anywhere a swivel is used today, the K100 is a better alternative. We are happy to customize the K100 to suit your own particular wishes and requirements.

## “The K100 is just as good as we promise”

**JULIA RÖNNBERG, DESIGN ENGINEER**

“Work on developing an entirely new swivel began several years ago. In the requirements specification that formed the basis for the development project, high quality, long service life and high performance





## Easy service

With the K100 you receive a solution that is both durable and designed with ease of service in mind.

Special seal kits consisting of pre assembled internal bodies which allow quick and efficient service.

Service is carried out simply by removing adapter from swivel body and replacing internal component. Due to the K100 using a sliding bearing instead of ball bearings, service is made far easier and less time consuming. Fewer parts and no requirement for special tooling makes servicing the K100 quick and easy. Easier, faster and cheaper but at the same time more robust than competitors' alternatives.

### **“A fantastic swivel”**

“We use K100 swivels on two different harvesters. Initially on a Ponsse Fox and now on a Ponsse Scorpion and we haven't had any problems of any kind with the K100. It really is quite fantastic. When regular swivels break, they usually come apart, with consequent major oil leakages. But this can never happen with the K100. It simply cannot come apart.”

**Bengt Bäckström, BB Skog, Sweden**

### **“I would not hesitate to recommend it”**

“We have used K100 on many hoses and all I can say is that it's a fabulous product. Firstly, it's easy to install and extremely compact, which means it doesn't take up too much space. Secondly, it's never leaked once all the time we've used it.

But perhaps most fantastic of all is that it swivels easily even when the hoses and the hydraulic fluid are almost deep frozen. All of the other swivels are stiffer, which means they come undone.”

**Urban Eriksson, Nymi skog, Sweden**

all at a competitive price were important basic considerations. Now that the K100 has seen the light of day we can also see that we succeeded. Those of us who worked on the development of the K100 are actually more than a little proud of a couple of unique solutions that made meeting, and even exceeding all the different requirements possible. One is our truly unique seal solution that makes it possible to use the swivel at constant high pressure and expose it to bending loads without affecting the impressive service life. Another is the sliding bearing that increas-

es safety by eliminating critical oil leaks, which means low torque even at high pressures. I would also like to highlight the new surface coating that guarantees the swivel's service life thanks to its good corrosion and wear resistance.

So how do we know the K100 is this good? Well, following extensive testing in both lab environments and out in the field, we're fully confident that every part of the swivel is able to cope with the pressure required and the torques, loads and other external and internal forces it is exposed to. Try one and see!”

# Why Indexator?



Indexator Rotator Systems AB is a global leader in the manufacture of rotators, swivels and accessories. Today, Indexator is an extremely strong brand in the forestry, material handling and recycling industries. The company conducts world-class R&D that includes a dedicated, in-house test lab upon which international equipment manufacturers also rely when developing new products and functions.



## **Indexator Rotator Systems AB**

Box 11  
SE-922 21 Vindeln, Sweden  
Tel +46 (0) 933 148 00  
Fax +46 (0) 933 148 99  
rotator@indexator.com  
indexator.com